



**Telescopic Polypropylene  
Inspection Chamber (TPPIC)**



**Flow-Liner Systems, Ltd**  
**[www.flow-liner.com](http://www.flow-liner.com)**  
**1-800-348-0020**



Certified Inspection Chamber



**Intelligent Solutions for Below Ground Projects**



# Telescopic Polypropylene Inspection Chamber

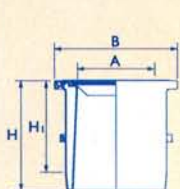
The unique Telescopic PPIC is the new safe solution for reduced access inspection and maintenance of drains or private sewers up to a 10' depth for connection to either 4" or 6" systems. In addition to eliminate the need for unsafe human access, the new system is height adjustable, removing the need for time consuming cutting of riser pieces. The angular adjustment gives a neat finish on sloped surfaces. The lightweight sections mean fast and easy installation to provide a cost effective alternative to concrete or brick manholes.

## Benefits

- Reduced installation time costs when compared to brick and concrete manholes
- Easy to install with 14" height adjustment
- Provides clear marker of sewer lateral location
- 4 degree angle adjustment for a neat finish on sloped areas
- Allows safe and convenient cleaning, rodding and access for CCTV inspection or pipe relining
- IAPMO Certified Inspection Chamber
- Can be used for variable grade and force main sewer system access
- Can be installed by hand - no need for machinery
- Cover supports 5 ton wheel load suitable for multiple applications from pedestrian shopping areas to driveways
- Universal system - can be used with 4" or 6" systems in SDR 35 or DWV schedule 40
- Complete range including non-telescopic versions for installations less than 4' deep
- Excellent for grease trap inspection and sampling (FOG Programs)
- Economical multi-unit housing and condominium developments (one tap connection)

## Product Selector

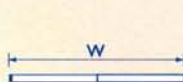
### Telescopic Raising Piece assembly



|                         |                    |
|-------------------------|--------------------|
| <b>Nominal diameter</b> | <b>4" &amp; 6"</b> |
| A Internal diameter     | 13.4"              |
| B Frame size            | 21.5" x 21.5"      |
| C Overall height        | 19.2"              |
| Hi Effective height     | 16.1"              |

**Code** **SPIC 3/7**

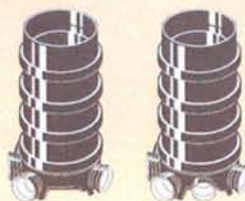
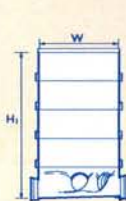
### Sealing Ring



|                         |                    |
|-------------------------|--------------------|
| <b>Nominal diameter</b> | <b>4" &amp; 6"</b> |
| W Width                 | 18.9"              |

**Code** **SPIC 5**

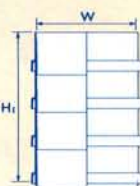
### Polypropylene Inspection Chamber



|                         |           |                    |
|-------------------------|-----------|--------------------|
| <b>Nominal diameter</b> | <b>4"</b> | <b>4" &amp; 6"</b> |
| Hi Effective height     | 37.1"     | 40.6"              |
| W Width                 | 18.9"     | 18.9"              |
| Number of inlets        | 5         | 5                  |
| Number of stoppers      | 4         | 4                  |

**Code** **SPIC 1/1** **SPIC 1/2**

### Raising Piece

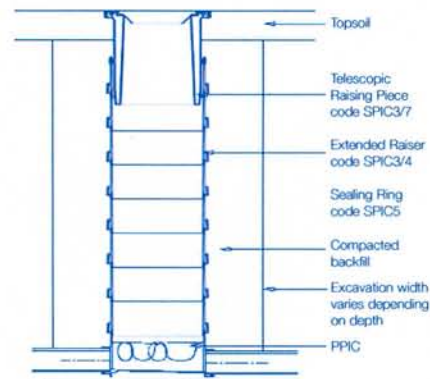


|                         |                    |                    |
|-------------------------|--------------------|--------------------|
| <b>Nominal diameter</b> | <b>4" &amp; 6"</b> | <b>4" &amp; 6"</b> |
| W Width                 | 18.7"              | 18.7"              |
| Hi Effective height     | 27.5"              | 6.9"               |

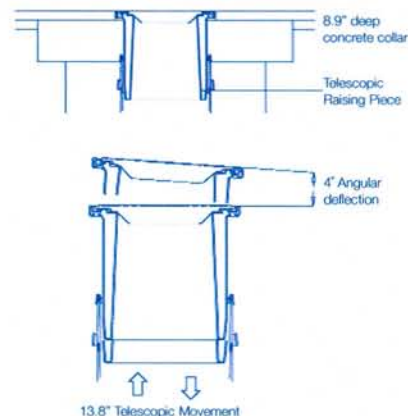
**Code** **SPIC 3/4** **SPIC 4**

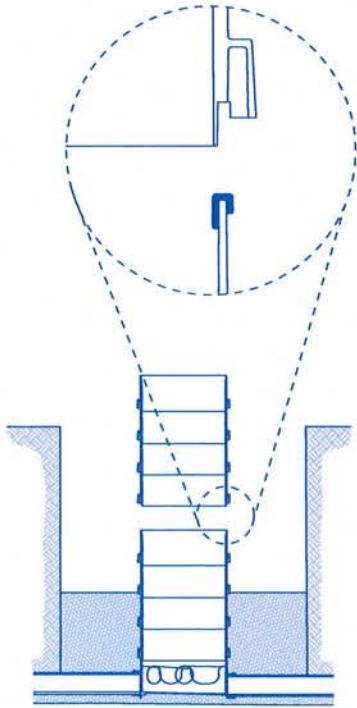
## Application Details

### Telescopic PPIC sited in soft landscaped areas



### Telescopic PPIC sited in driveways



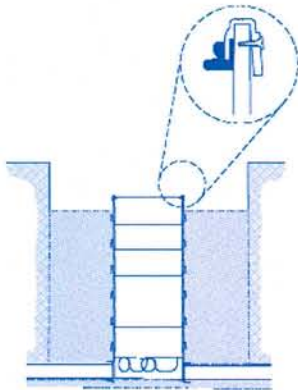


### Diagram 1

- Excavate the hole for the chamber allowing sufficient working space around the outside of the chamber
- Install the chamber base unit to the correct invert level and orientation. Bedding material should be used to give firm support to the base of the chamber, which should be installed with its top edge as level as possible
- Pipework should be connected to the main run and any of the side branches at this stage
- Backfill in 6" layers of selected as-dug or granular material, well compacted, as work proceeds
- The chamber unit is built up to the required depth using standard raising

pieces of 6.9" and 27.6" depth, the required combination of raising pieces should be planned before work commences

- To fit the first raising piece, locate the raising piece seal by positioning the sealing ring with the longer lip on the inside of the rim of the chamber – do not use lubricant
- Lubricate the spigot on the raising piece and position centrally on the chamber. Push raising piece downwards until fully located (tap with rubber mallet if required)
- Backfill in 6" layers of selected as-dug or granular material, well compacted, as work proceeds



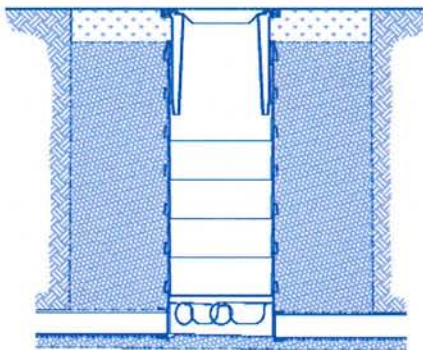
### Diagram 2

- The telescopic section of the chamber has a variable depth range of 2" – 15.7". The 13.8" vertical adjustment allows installation at any depth using a combination of 6.9" and 27.6" Raising Pieces without the need for cutting
- Fit the sliding seal for the telescopic section over the top edge of the final raising piece. Secure the seal with the self-tapping screws provided, through

the cap into the chamber wall

- Backfill in 6" layers of selected as-dug or granular material, well compacted, as work proceeds

**Note:** All installations should be carried out by personnel who have received specific product training.



### Diagram 3

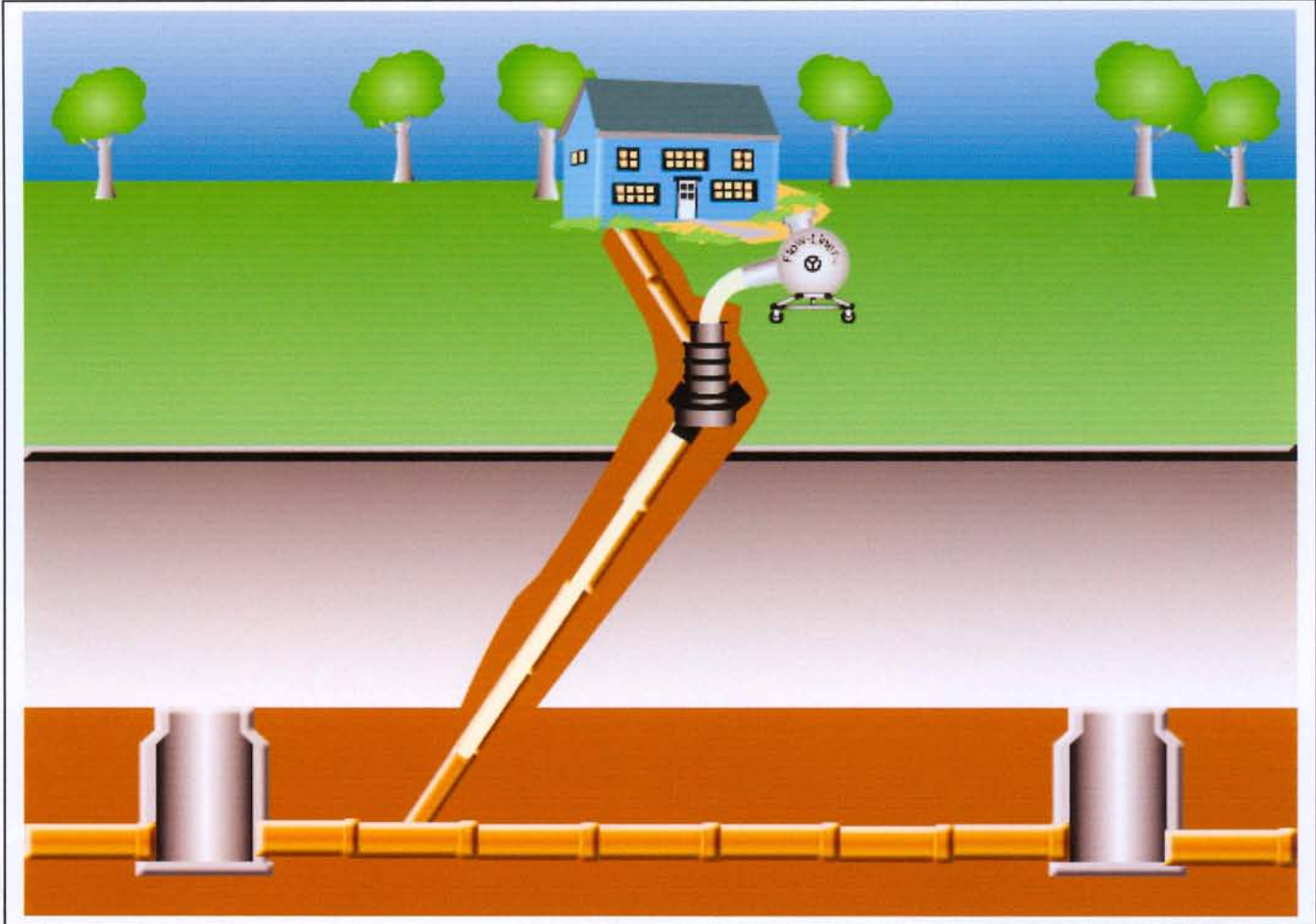
- Remove the cast iron cover and place to one side
- Push in the telescopic raising piece until the required height is achieved. Adjust the angle of the top to match the ground slope
- Backfill in 6" layers of selected as-dug or granular material, well compacted, allowing sufficient depth of topsoil in landscaped areas. In driveways or

parking areas a 8.9" deep concrete collar should be cast around the top of the chamber

- Replace cover and fix with screws provided

**Note:** All drainage work should be installed in accordance with local regulations.

# Example of Sewer Lateral Lining Through an Inspection Chamber



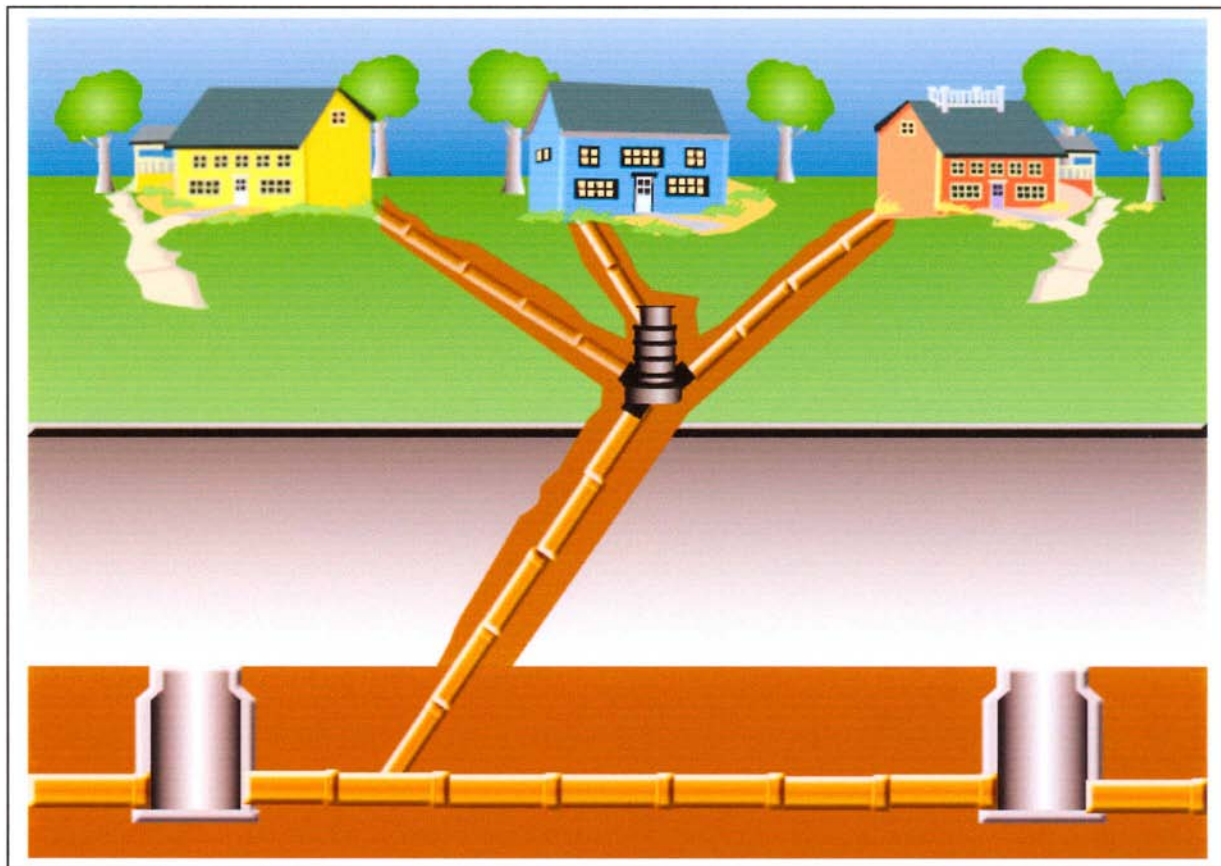
**Before**



**After**



# Example of using an Inspection Chamber For Multi-Family or Condominium Sewer Connections



# “Additional Chamber Uses”



**“High Density Polypropylene Access Chambers”**

**\*\* 50+ YEARS LIFE EXPECTANCY \*\***

## ➤ **EASY ACCESS TO FORCE MAINS AND VARIABLE GRADE SEWERS**

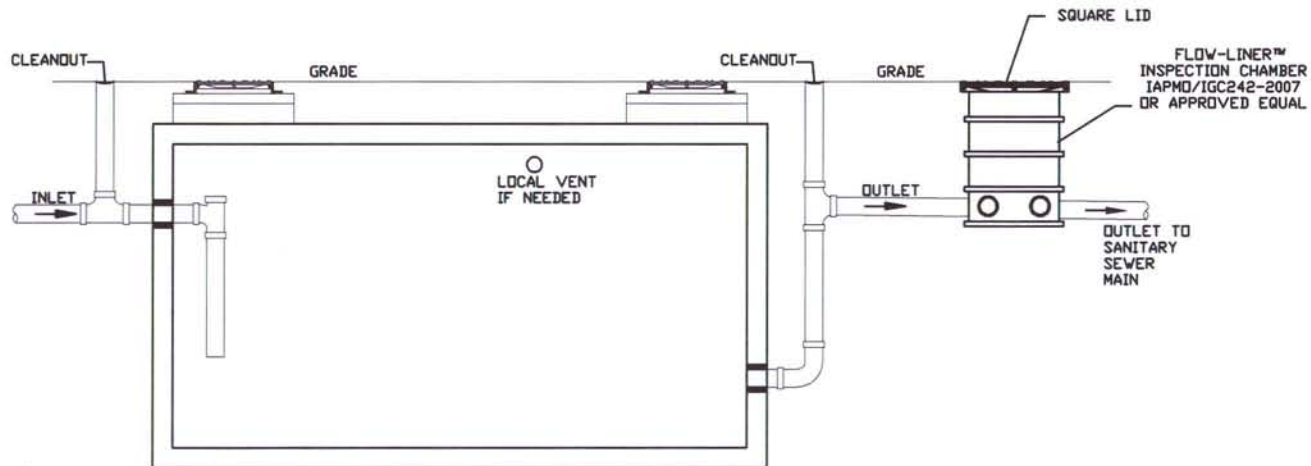
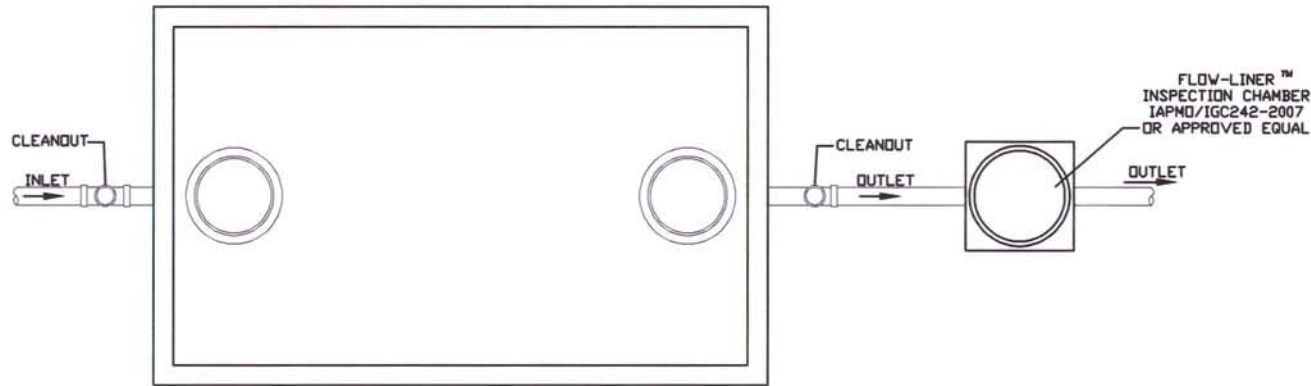
**Located on the gravity side of force mains & variable grade sewers, these innovative chambers provide the immediate access you need without having to install a concrete manhole!**

## ➤ **EASY ACCESS & ACCURATE TESTING FOR GREASE TRAP AND OIL INTERCEPTOR SAMPLING**

**Located on the outlet side of the grease trap or oil interceptor, the chamber offers easy accessibility and with it's flow channel it gives you accurate sampling for FOG programs.**

PRODUCT SELECTION CHART

| INSTALLATION DEPTH (FT) | PRODUCT                                                                             | Allowable Pipe Diameters |
|-------------------------|-------------------------------------------------------------------------------------|--------------------------|
| 1 to 2                  | Flow Liner™ - Mini Access Chamber                                                   | 4"                       |
| 2 to 4                  | Flow Liner™ - Polypropylene Inspection Chamber (PPIC)                               | 4" & 6"                  |
| 4 to 10                 | Flow Liner™ - Telescopic Polypropylene Inspection Chamber (TPPIC) (Traffic Bearing) | 4" & 6"                  |



GREASE  
INTERCEPTOR  
DETAIL



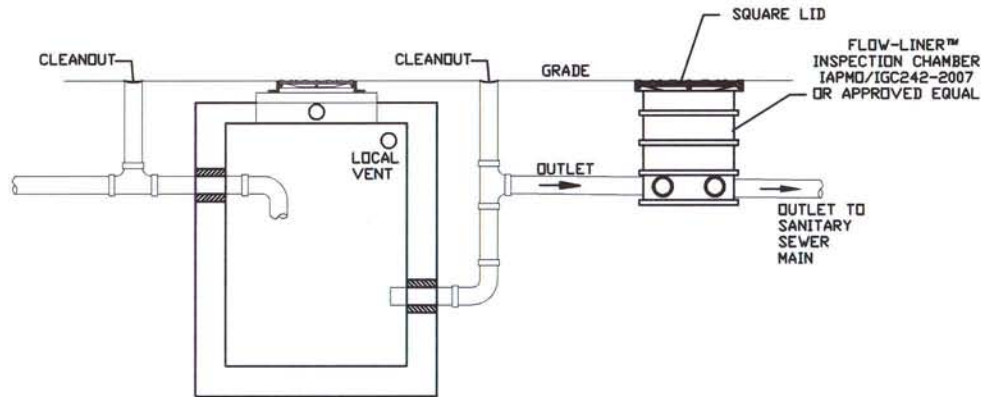
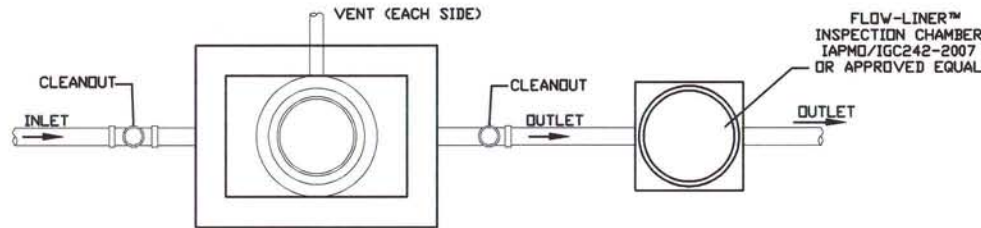
FLOW-LINER™  
INSPECTION CHAMBERS

FLOW-LINER SYSTEMS, LTD.  
4830 NORTH POINTE DRIVE  
ZANESVILLE, OHIO 43701  
PHONE: 1-800-348-0020  
FAX: 740-453-8622

| PRODUCT SELECTION CHART |                                                                                     |                          |
|-------------------------|-------------------------------------------------------------------------------------|--------------------------|
| INSTALLATION DEPTH (FT) | PRODUCT                                                                             | Allowable Pipe Diameters |
| 1 to 2                  | Flow Liner™ - Mini Access Chamber                                                   | 4"                       |
| 2 to 4                  | Flow Liner™ - Polypropylene Inspection Chamber (PPIC)                               | 4" & 6"                  |
| 4 to 10                 | Flow Liner™ - Telescopic Polypropylene Inspection Chamber (TPPIC) (Traffic Bearing) | 4" & 6"                  |

# OIL/WATER INTERCEPTOR

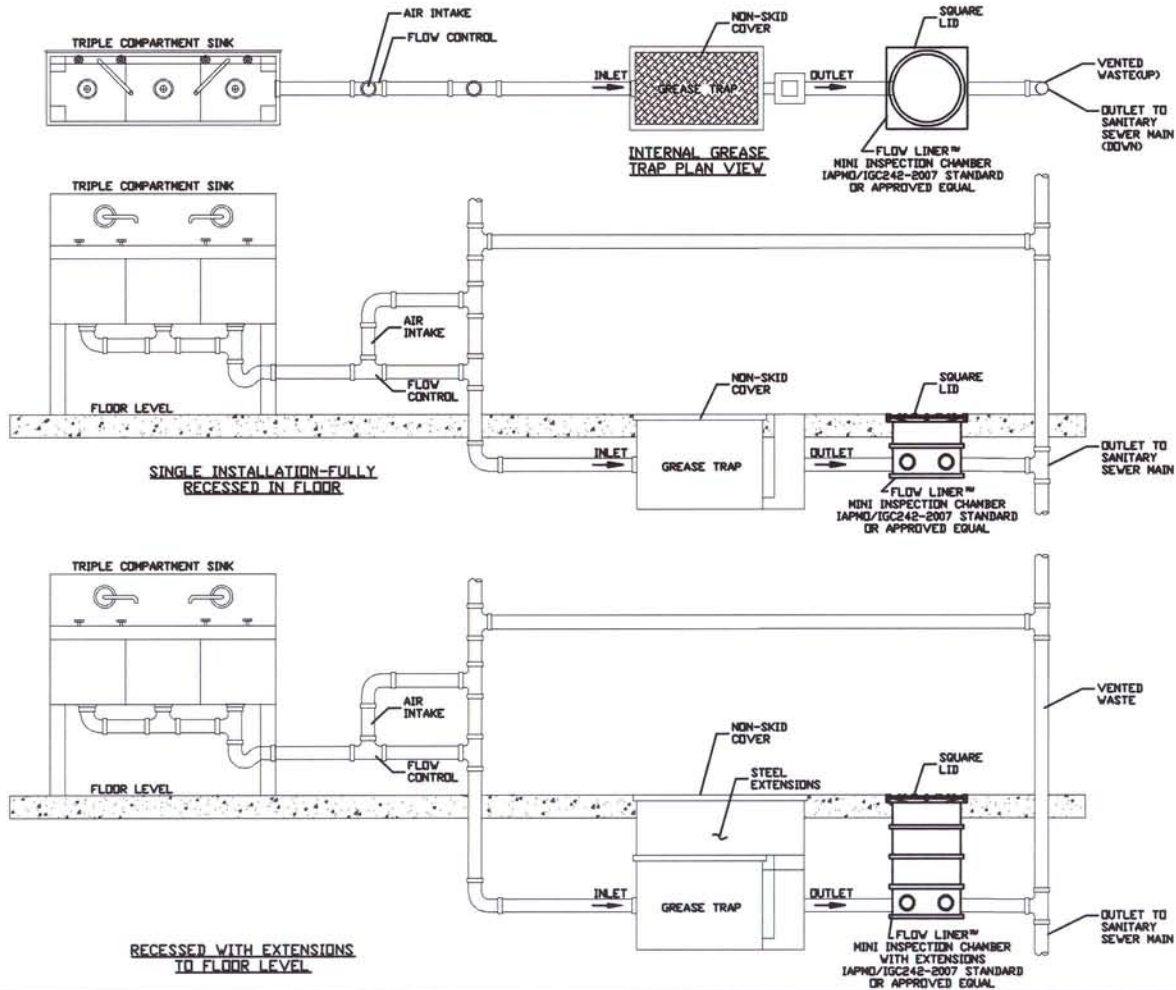
DETAIL



## FLOW-LINER™ INSPECTION CHAMBERS

FLOW-LINER SYSTEMS, LTD.  
4830 NORTH POINTE DRIVE  
ZANESVILLE, OHIO 43701  
PHONE: 1-800-348-0020  
FAX: 740-453-8622

| PRODUCT SELECTION CHART |                                                                                     |                          |
|-------------------------|-------------------------------------------------------------------------------------|--------------------------|
| INSTALLATION DEPTH (FT) | PRODUCT                                                                             | Allowable Pipe Diameters |
| 1 to 2                  | Flow Liner™ - Mini Access Chamber                                                   | 4"                       |
| 2 to 4                  | Flow Liner™ - Polypropylene Inspection Chamber (PPIC)                               | 4" & 6"                  |
| 4 to 10                 | Flow Liner™ - Telescopic Polypropylene Inspection Chamber (TPPIC) (Traffic Bearing) | 4" & 6"                  |



# INTERNAL GREASE TRAP

## DETAIL



## FLOW-LINER™ INSPECTION CHAMBERS

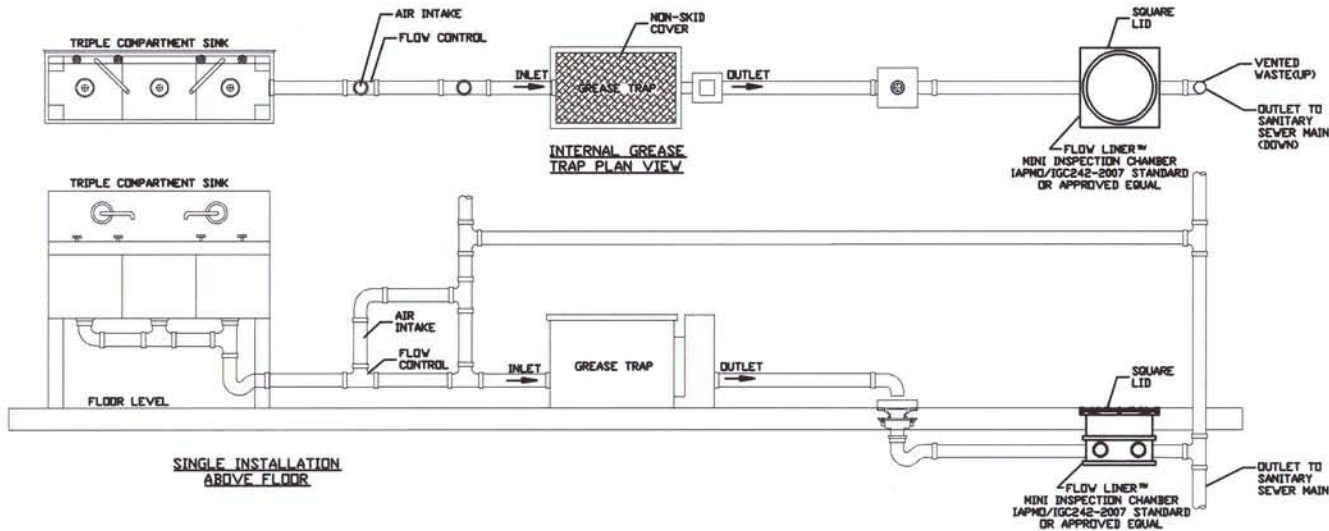
FLOW-LINER SYSTEMS, LTD.  
 4830 NORTH POINTE DRIVE  
 ZANESVILLE, OHIO 43701  
 PHONE: 1-800-348-0020  
 FAX: 740-453-8622

PRODUCT SELECTION CHART

| INSTALLATION DEPTH (FT) | PRODUCT                                                                             | Allowable Pipe Diameters |
|-------------------------|-------------------------------------------------------------------------------------|--------------------------|
| 1 to 2                  | Flow Liner™ - Mini Access Chamber                                                   | 4"                       |
| 2 to 4                  | Flow Liner™ - Polypropylene Inspection Chamber (PPIC)                               | 4" & 6"                  |
| 4 to 10                 | Flow Liner™ - Telescopic Polypropylene Inspection Chamber (TPPIC) (Traffic Bearing) | 4" & 6"                  |

# EXTERNAL GREASE TRAP

DETAIL



## FLOW-LINER™ INSPECTION CHAMBERS

FLOW-LINER SYSTEMS, LTD.  
 4830 NORTH POINTE DRIVE  
 ZANESVILLE, OHIO 43701  
 PHONE: 1-800-348-0020  
 FAX: 740-453-8622



**Telescopic Polypropylene Inspection Chamber (TPPIC)**



**Order Guide**

| Item code | Description                      | Depth (ft) |   |   |   |   |   |    |
|-----------|----------------------------------|------------|---|---|---|---|---|----|
|           |                                  | 4          | 5 | 6 | 7 | 8 | 9 | 10 |
| SPIC 3/7  | Telescope Raising Piece assembly | 1          | 1 | 1 | 1 | 1 | 1 | 1  |
| SPIC 3/4  | Raising Piece (27.5")            | -          | - | - | 1 | 1 | 2 | 2  |
| SPIC 4    | Raising Piece (6.9")             | -          | 2 | 3 | 1 | 2 | - | 2  |
| SPIC 5    | Sealing Ring                     | -          | 2 | 3 | 2 | 3 | 2 | 4  |
| SPIC 1/1  | 4" Base PPIC                     | 1          | 1 | 1 | 1 | 1 | 1 | 1  |
|           | or                               |            |   |   |   |   |   |    |
| SPIC 1/2  | Mixed Base 4"/6" PPIC            | 1          | 1 | 1 | 1 | 1 | 1 | 1  |

Quantity Required

**Note:** The telescope raising piece has 13.8" of height adjustment and the above depths can be reduced accordingly.



**Mini Access Chamber**

Installation depth up to 2'  
 For pipe diameters 4"  
 Cover wheel load 1 ton

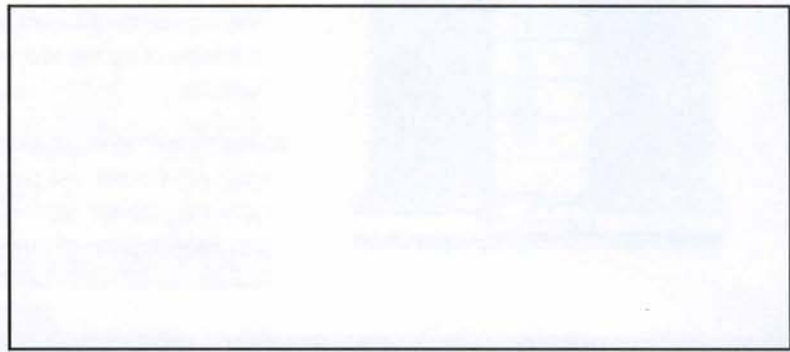


**Polypropylene Inspection Chamber (PPIC)**

Installation depth 2' - 4'  
 For pipe diameters 4" & 6"  
 Cover wheel load 5 ton

All information contained in this literature is given in good faith. The user should, however check that the product is suitable for purpose, in the application for which it shall be used. Please ensure compliance with all health and safety requirements. Whilst continuing its programme of continuous development, Flow-Liner Systems, LTD. reserves the right to modify or extend any published information without any prior notification. No responsibility can be accepted for any error, omissions or incorrect assumptions.

Distributed by:



**Flow-Liner Systems, Ltd**  
**www.flow-liner.com**  
**1-800-348-0020**

